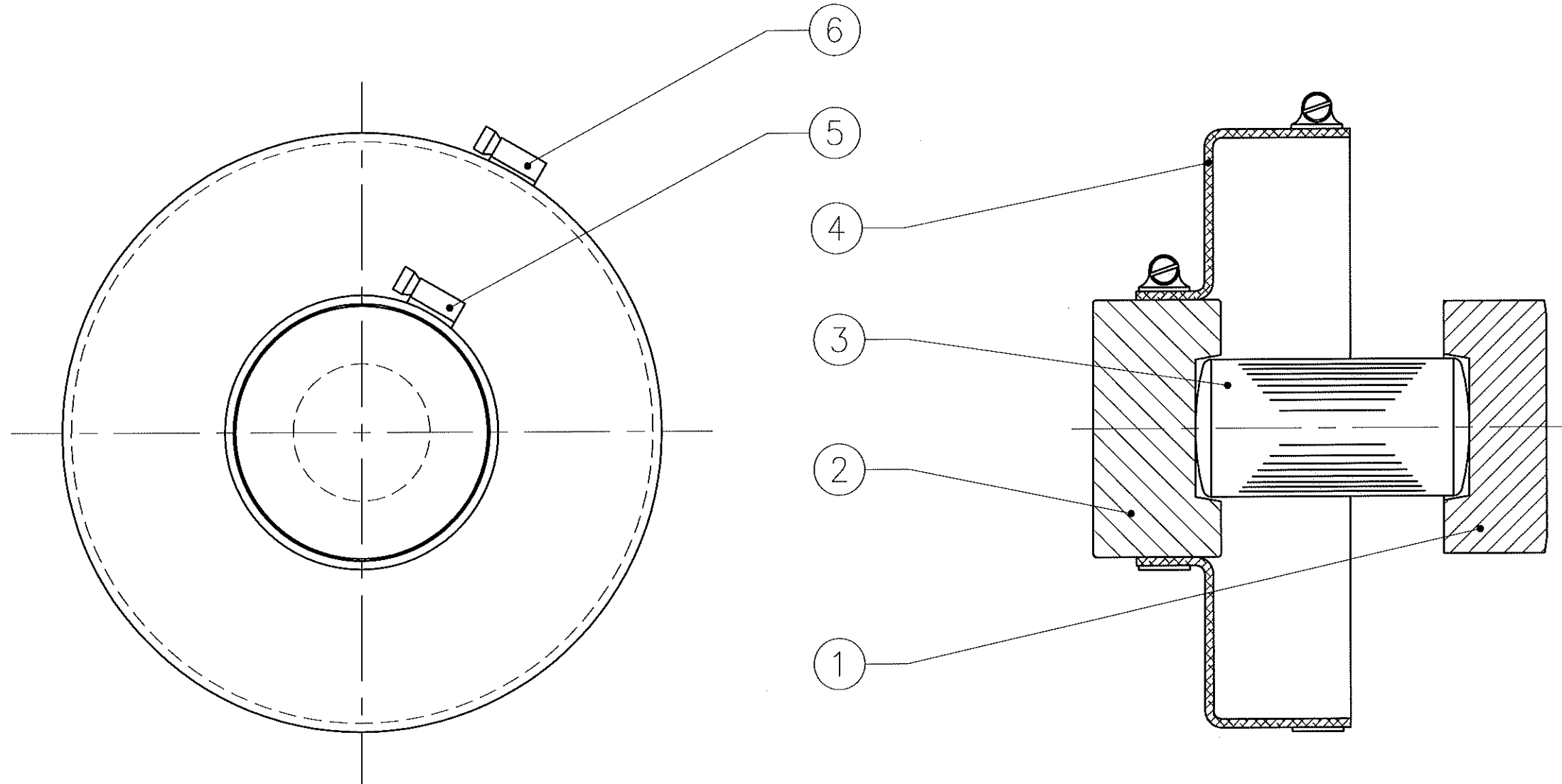


ITEM NO.	DESCRIPTION	QTY	MATERIAL	UNIT WT.	PART NO.	SIZE	WT.
1	LOAD BLOCK LOWER	1	AISI L6		A-31325	1.50 HI	
2	LOAD HEAD UPPER	1	AISI L6		A-29983	1.88 HI	
3	LOADING CYLINDER	1	AISI L6		B-29606	4.00 OAL	
4	BOOT	1	NEOPRENE		A-14662	AUBURN PLASTICS	
5	CLAMP, SMALL	1	SS		HSS64	BREEZE	
6	CLAMP, LARGE	1	SS		HSS152	BREEZE	



				ALL SHARP CORNERS AND EDGES TO BE BROKEN		EMERY WINSLOW SCALE COMPANY SEYMOUR, CT U.S.A. TERRE HAUTE, IN.	
				UNLESS OTHERWISE SPECIFIED DIMENSIONS ARE IN INCHES		HEAD ASSEMBLY FOR 136-75CH OR -100RR D-29547-2, -3, D-35827, D-35809	
				MACHINING ± .01 .XXX = ± .005		FABRICATION ± .13	
LTR	REVISION	DATE	BY	DRAWN GMR	DATE 01/10/03	SCALE	FIRST USED ON
THIS DRAWING IS THE PROPERTY OF EMERY WINSLOW SCALE COMPANY SEYMOUR, CONNECTICUT. THE INFORMATION CONTAINED HEREIN IS CONFIDENTIAL AND IS NOT TO BE USED OR DISSEMINATED TO OTHERS WITHOUT THE EXPRESS WRITTEN CONSENT OF EMERY WINSLOW SCALE COMPANY.				CHECKED	DATE	1:2	DRAWING NO.
				ACAD FILENAME: AC01102			B-35881
				LAYERS USED: ALL			REV. -